



FIRE ALARM SYSTEMS.
POWERED BY PARTNERSHIP.*

REMOTE BOOSTER POWER SUPPLIES

EBPS6A, EBPS10A



NYC Fire Dept.
COA 2022-TMCOAP-
005856-RENL



S3424



7300-1657:
0229

OVERVIEW

The Booster Power Supply (BPS) is a UL 864, 10th-Edition-listed power supply. It is a 24-Vdc filtered-regulated, and supervised unit that can easily be configured to provide additional notification appliance circuits (NACs) or auxiliary power for Mass Notification/Emergency Communication (MNEC), as well as life safety applications.

The BPS contains the circuitry to monitor and charge internal or external batteries. Its steel enclosure has room for up to two 10 ampere-hour batteries. The BPS has four Class B (convertible to two Class A) NACs. These can be activated in one or two groups from the BPS's unique dual input circuits.

The BPS is available in 6.5 or 10 ampere models. Each output circuit has a capacity of three amperes; total current draw cannot exceed the unit's rating.

The BPS meets current UL requirements and is listed under the following standards:

| Standard (CCN) | Description |
|---------------------------|--|
| UL864 10th edition (UOXX) | Fire Alarm Systems |
| UL636 (ANET, UEHX7) | Holdup Alarm Units and Systems |
| UL609 (AOTX, AOTX7) | Local Burglar Alarm Units and Systems |
| UL365 (APAW, APAW7) | Police Station Connected Burglar Alarm Units and Systems |
| UL1076 (APOU, APOU7) | Proprietary Burglar Alarm System Units |
| UL1610 (AMCX) | Central Station Alarm Unit |
| ULC-S527 (UOXXC) | Control Units, Fire Alarm (Canada) |
| ULC-S303 (AOTX7) | Local Burglar Alarm Units and Systems (Canada) |
| C22.2 No. 205 | Signaling Equipment (Canada) |

STANDARD FEATURES

- Allows for reliable filtered and regulated power to be installed where needed
- Cost-effective system expansion
- Provides for Genesis and Enhanced Integrity notification appliance synchronization
- Supports coded output operation
- Self-restoring overcurrent protection
- Multiple signal rates
- Can be cascaded or controlled independently
- Easy field configuration
- On-board diagnostic LEDs identify wiring or internal faults
- Standard Kidde Commercial keyed lockable steel cabinet with removable door
- 110 and 230 Vac models available
- Accommodates 18 to 12 AWG wire sizes
- Optional tamper switch
- Dual-battery charging rates
- Optional earthquake hardening: OSHPD seismic pre-approval for component Importance Factor 1.5

*Kidde Commercial and its authorized resellers/distributors are separate and independent entities. This relationship between vendor and reseller/distributor does not constitute a legal partnership or create any shared liability between companies.

APPLICATION

The BPS provides additional power and circuits for notification appliances and other 24 Vdc loads. It is listed for indoor dry locations and can easily be installed where needed.

Fault conditions are indicated on the on-board diagnostic LEDs, opening the BPS input sense circuit and the trouble relay (if programmed). While this provides indication to the host system, the BPS can still be activated upon command. A separate AC Fail contact is available on the BPS circuit board, which can be programmed for trouble or AC Fail. There are seven on-board diagnostic LEDs: one for each NAC fault, one for battery fault, one for ground fault and one for AC power.

The unique dual-input activation circuits of the BPS can be activated by any voltage from 6 to 45 VDC (filtered-regulated) or 11 to 33 Vdc (full-wave rectified, unfiltered). The first input circuit can be configured to activate 1-4 of the four possible outputs. The second input circuit can be configured to control circuits 3 and 4. When outputs are configured for auxiliary operation, these circuits can be configured to stay on or automatically deactivate 30 seconds after AC power is lost. This feature makes these circuits ideal for door holder applications. The BPS also has a separate 200 mA 24 Vdc output that can be used to power internal activation modules.

BPS NACs can be configured for a 3-3-3 temporal or continuous output. This makes the BPS ideal for applications requiring signaling rates that are not available from the main system.

In addition to the internally generated signal rates, the BPS can also be configured to follow the coded signal rate of the main system NACs. This allows for the seamless expansion of existing NACs.

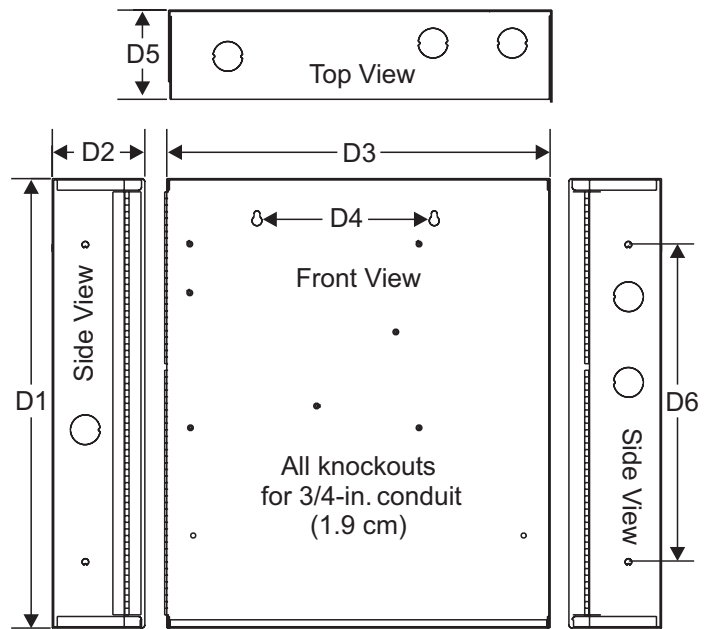
The BPS enclosure has mounting brackets for up to three Signature modules to the right of the circuit board.

ENGINEERING SPECIFICATION

Supply, where needed, Kidde Commercial BPS Series Booster Power Supplies (BPS) that are interconnected to and supervised by the main system. The BPS shall function as a stand-alone auxiliary power supply with its own fully-supervised battery complement. The BPS battery complement shall be sized to match the requirements of the main system. The BPS shall be capable of supervising and charging batteries having the capacity of 65 ampere-hours for Mass Notification/Emergency Communication (MNEC) life safety applications.

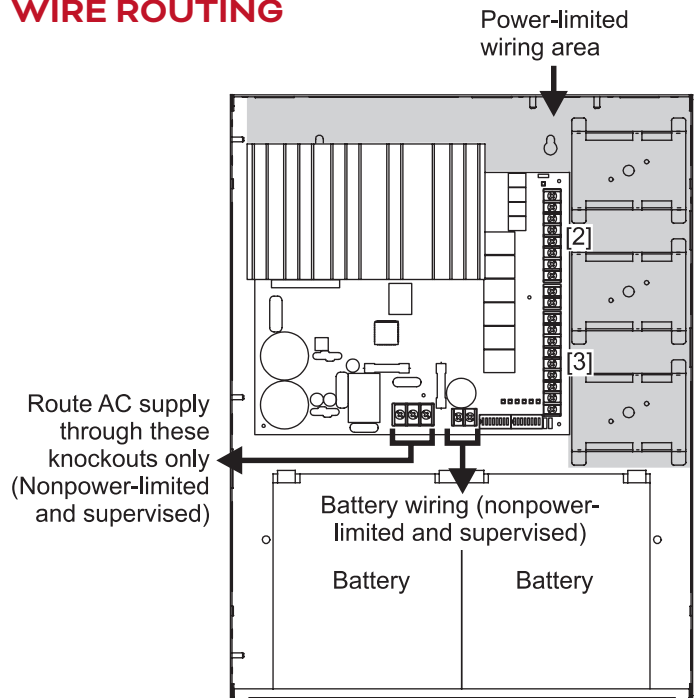
<<The BPS shall be capable of installation for a seismic component Importance Factor of 1.5.>> The BPS shall provide a minimum of four independent, fully supervised Class B circuits that can be field-configurable for notification appliance circuits or auxiliary 24 Vdc power circuits. BPS NACs shall be convertible to a minimum of two Class A NACs. Each BPS output circuit shall be rated at 3 amperes at 24 Vdc. Each output circuit shall be provided with automatically restoring overcurrent protection. The BPS shall be operable from the main system NAC and/or Kidde Commercial Signature Series control modules. BPS NACs shall be configurable for continuous or 3-3-3 temporal rate. Fault conditions on the BPS shall not impede operation of main system NAC. The BPS shall be provided with ground fault detection circuitry and a separate AC fail relay.

DIMENSIONS



| D1 | D2 | D3 | D4 | D5 | D6 |
|----------------------|--------------------|----------------------|---------------------|----------------------|----------------------|
| 17.0 in (43.2 cm) | 3.5 in (8.9 cm) | 13.0 in (33.0 cm) | 6.5 in (16.5 cm) | 3.375 in (8.6 cm) | 12.0 in (30.4 cm) |

WIRE ROUTING



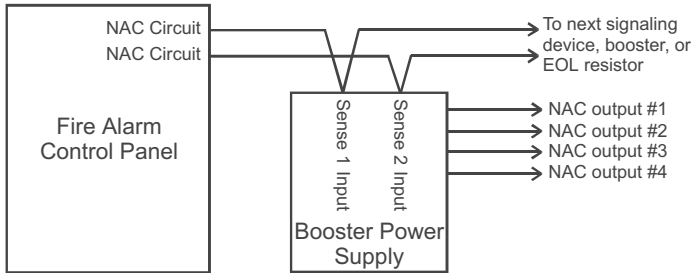
Notes

1. Maintain 1/4-inch (6 mm) spacing between power-limited and nonpower-limited wiring or use type FPL, FPLR, or FPLP cable per NEC.
2. Power-limited and supervised when not configured as auxiliary power. Non-supervised when configured as auxiliary power.
3. Source must be power-limited. Source determines supervision.
4. When using larger batteries, make sure to position the battery terminals towards the door.

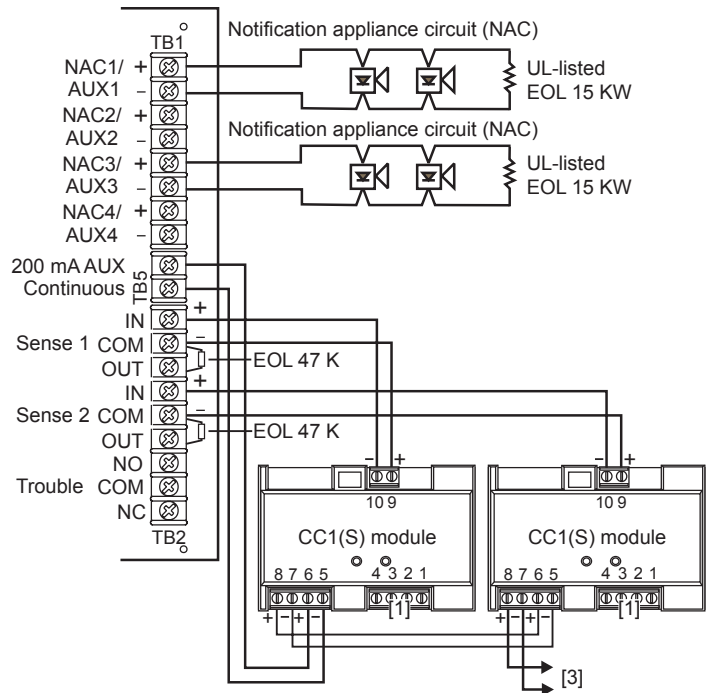
TYPICAL WIRING

Single or cascaded booster anywhere on a notification appliance circuit

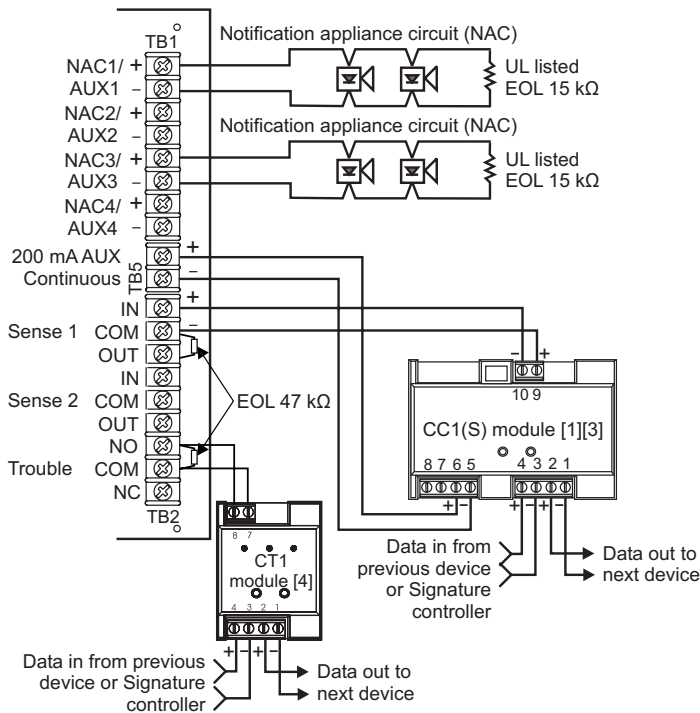
Existing NAC end-of-line resistors are not required to be installed at the booster's terminals. This allows multiple boosters to be driven from a single NAC circuit without the need for special configurations.



Multiple CC1(S) modules using the BPS's Sense inputs



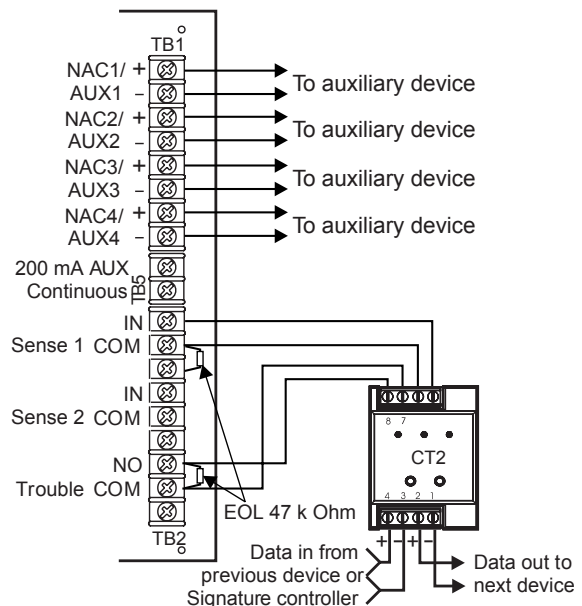
Configuring the Booster for AC Power Fail delay operation*



*The Booster supports AC Power Fail delay of three hours via its trouble contact when dip switch SW2-6 is on. All other troubles are reported to supervising module or panel without delay via Sense inputs.

Trouble relay wiring with four AUX circuits

For providing AUX power only, set DIP switch SW2-6 to OFF, connect the auxiliary device as shown and monitor the trouble relay for immediate signal for all troubles. If AC power loss is required to be monitored separately, set DIP switch SW2-6 to ON, use a SIGA-CT2 module to monitor the Sense 1 trouble contacts for all troubles except AC power loss and the trouble relay for AC power loss after a 30-second delay.



FIRE ALARM SYSTEMS.
POWERED BY PARTNERSHIP.*

SPECIFICATIONS

| Model | 6.5-Amp Booster | 10-Amp Booster |
|---|---|---|
| AC Line Voltage | 120VAC or 220-240VAC 50/60Hz 390 watts | 120VAC or 220-240VAC 50/60Hz 580 watts |
| Notification Appliance Circuit Ratings | 3.0A max. per circuit 6.5A max total all NACs 18.2 to 27.0 VDC | 3.0A max. per circuit 10A max total all NACs 18.2 to 27.0 VDC |
| Trouble Relay | 2 Amps @ 30VDC | |
| Auxiliary Outputs | Four configurable outputs replace NACs 1, 2, 3 or 4 as auxiliary outputs (19.1 to 27.0VDC) and 200 mA dedicated auxiliary (19.5 to 27.0VDC) | |
| Input Current (from an existing NAC) | 3mA @ 12VDC, 6mA @ 24VDC | |
| Booster Internal Supervisory Current | 70mA + 35 mA for each circuit set to AUX | |
| Booster Internal Alarm Current | 270mA | |
| Signature Mounting Space | Accommodates three two-gang modules | |
| Maximum Battery Size [1] | 10-amp hours (2 of 12V10A) in cabinet; up to 65-amp hours with external battery cabinet for fire applications | |
| Terminal Wire Gauge | 18-12 AWG | |
| Relative Humidity | 0 to 93% non condensing @ 32°C | |
| Temperature Rating | 32° to 120°F (0° to 49°C) | |
| NAC Wiring Styles | Class A or Class B | |
| Output Signal Rates | Continuous, 3-3-3 temporal, or follow installed panel's NAC | |
| Ground Fault Detection | Enable or Disable via jumper | |
| Agency Listings | UL, ULC, CSFM, NYC Fire Dept., FM | |

CONTACT US

Phone: 888.244.9979 (Option 4)
Email: kidde.fire@kgsolutions.com
Website: kidde-esfire.com

8985 Town Center Pkwy,
Bradenton, FL 34202

©2026 Walter Kidde Portable Equipment, LLC
All rights reserved.

*Kidde Commercial and its authorized resellers/
distributors are separate and independent entities.
This relationship between vendor and reseller/
distributor does not constitute a legal partnership or
create any shared liability between companies.

[1] For FM listing, maximum battery size is 24 Ah (12V24A or equivalent)

ORDERING INFORMATION

| Catalog Number | Description | Shipping Wt. lb (kg) |
|----------------|-------------------------------------|----------------------|
| EBPS6A | 6.5-Amp Booster Power Supply | 13 (5.9) |
| BPS6AC | 6.5-Amp Booster Power Supply (ULC) | 13 (5.9) |
| BPS6A/230 | 6.5-Amp Booster Power Supply (220V) | 13 (5.9) |
| EBPS10A | 10-Amp Booster Power Supply | 13 (5.9) |
| BPS10AC | 10-Amp Booster Power Supply (ULC) | 13 (5.9) |
| BPS10A/230 | 10-Amp Booster Power Supply (220V) | 13 (5.9) |

| Related Equipment | | |
|-------------------|--|------------|
| 3-TAMP | Tamper switch | |
| BPS-CVR | Electronics Protective Cover | |
| BC-1EQ | Seismic Kit for BC-1. Order BC-1 separately (see note 2) | |
| BPSEQ | Seismic Kit for BPS6A or BPS10 Booster Power Supplies (see note 2) | |
| BC-1 | Battery Cabinet (up to 2- to 40-Amp Hour Batteries) | 58 (26.4) |
| BC-2 | Battery Cabinet (up to 2- to 17-Amp Hour Batteries) | 19 (8.6) |
| 12V6A5 | 7.2-Amp Hour Battery, two required | 3.4 (1.6) |
| 12V10A | 10-Amp Hour Battery, two required | 9.5 (4.3) |
| 12V17A | 18-Amp Hour Battery, two required (see note 1) | 13 (5.9) |
| 12V24A | 24-Amp Hour Battery, two required (see note 1) | 20 (9.07) |
| 12V40A | 40-Amp Hour Battery, two required (see note 1) | 32 (14.5) |
| 12V50A | 50-Amp Hour Battery, two required (see note 1) | 40 (18.14) |
| 12V65A | 65-Amp Hour Battery, two required (see note 1) | 49 (22.2) |

Notes

- Requires installation of separate battery cabinet.
- For earthquake anchorage, including detailed mounting weights and center of gravity detail, refer to Seismic Application Guide 3101676. Approval of panel anchorage to site structure may require local AHJ, structural or civil engineer review.