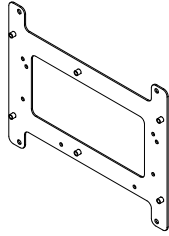




RZI-MPL Mounting Bracket Installation Sheet



Description

The RZI-MPL bracket is used to mount the RZI16-2 and RZI16-2RS Remote Zone Interface Modules in the following enclosures:

- MFC(A) Accessory Enclosure
- Auxiliary Power Supply (APS) Enclosure
- iO1000 and VS4 Cabinet Enclosures

For installation and wiring details for the RZI16-2 and RZI16-2RS Remote Zone Interface Modules, see the following:

- *RZI16-2 Remote Zone Interface Module Installation Sheet* (P/N 3101970)
- *RZI16-2RS Addressable Remote Zone Interface Module Installation Sheet* (P/N 3101988)

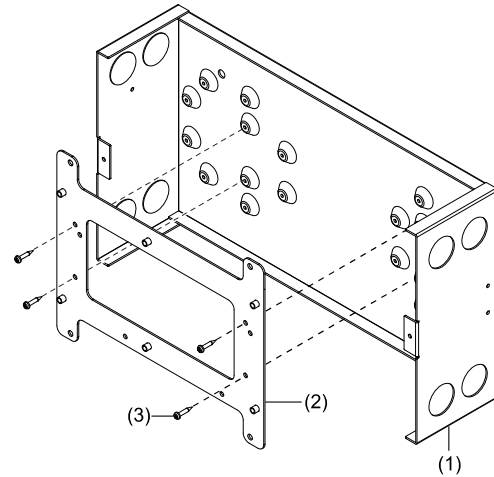
Installation

Caution: Risk of equipment damage. Make sure the RZI mounting bracket is installed with the RZI module mounting standoffs facing away from the enclosure. These mounting standoffs provide clearance between the RZI module PCB circuitry and the bracket.

To mount the RZI-MPL in the MFC(A):

1. Position the RZI-MPL in the MFC(A) enclosure as shown in Figure 1.
2. Secure the RZI-MPL using four self-tapping screws as shown in Figure 1.

Figure 1: Mounting the RZI-MPL in the MFC(A)

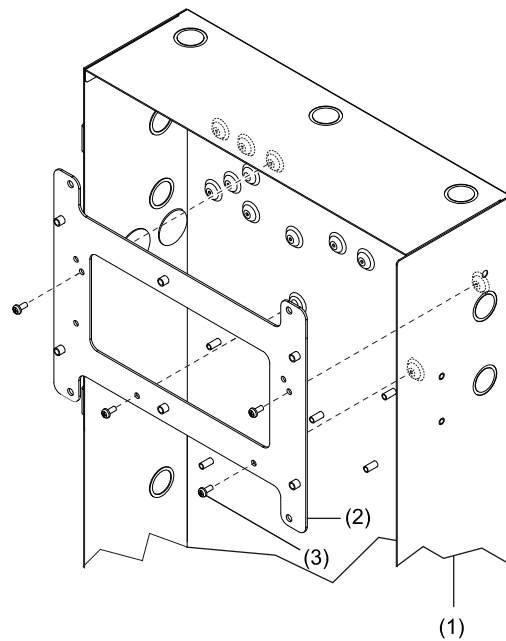


- (1) MFC(A) enclosure
- (2) RZI-MPL mounting bracket
- (3) #6-32 x 5/16 self-tapping screws (4X)

To mount the RZI-MPL in the APS:

1. Position the RZI-MPL in the APS enclosure as shown in Figure 2.
2. Secure the RZI-MPL using four machine screws as shown in Figure 2.

Figure 2: Mounting in an APS enclosure

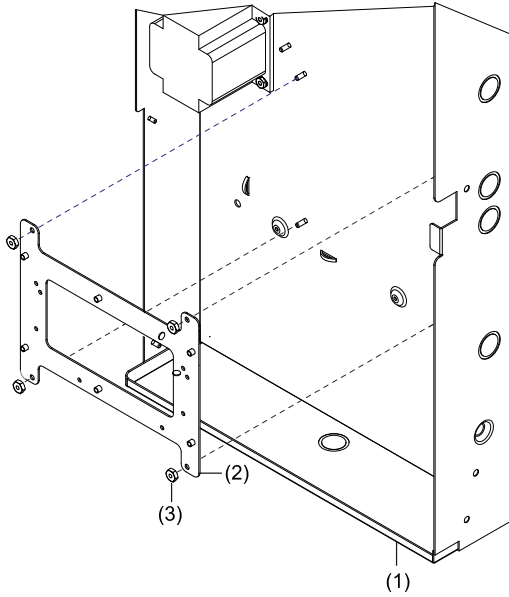


- (1) APS enclosure
- (2) RZI-MPL mounting bracket
- (3) #6-32 x 5/16 screws (4X)

To mount the RZI-MPL in an iO1000 or VS4 enclosure:

1. Position the RZI-MPL in the iO1000 or VS4 enclosure as shown in Figure 3.
2. Secure the RZI-MPL using four K-nuts as shown in Figure 3.

Figure 3: Mounting in an iO1000 or VS4 enclosure



- (1) iO1000 or VS4 enclosure (3) 8-32 K-nuts (4X)
(2) RZI-MPL mounting bracket

Contact information

For contact information, see www.edwardsfiresafety.com.

© 2015 Walter Kidde Portable Equipment, Inc.
All rights reserved.